

***X-CALIBUR V***™  
Dental Chair

Model **BEL-50N**



The **X-CALIBUR V™** dental chair carries forward the Belmont traditions of excellence in **reliability, durability** and **patient comfort**.

#### Standard Features

- Thin, narrow backrest design permits close access to the oral cavity.
- Membrane chair controls are accessible from both sides of the backrest. The sealed switches are easily cleaned.
- Dual axis headrest re-positions the patient oral cavity to view the upper and lower arches, without the need of changing the backrest position.
- Select from three different styles and a wide variety of colors for the creation of a signature look for your dental practice. Reliable Belmont hydraulic design.
- Seat rotates 30° left and right of center to accommodate different working styles and to maximize access to intraoral x-ray systems.
- Safety shut-off plate disables chair operations to prevent accidents.
- Armrests swing-out for patient entry and exit from the chair.
- Programmable positioning by foot and backrest controls.



Model: **BEL-50NSW**  
Smooth Wing



Model: **BEL-50NSS**  
Smooth Sling



Model: **BEL-50NWP**  
Wing Plush

Patients can be positioned for treatment as low as 13 3/8" or as high as 28 3/8", to help you to work ergonomically.



Dual membrane chair controls give both the Doctor and Assistant access to seat and backrest controls. Sealed membrane surfaces are easily cleaned.



Articulating dual axis headrest re-positions the patient oral cavity to view the upper and lower arches, without the need of changing the backrest position.



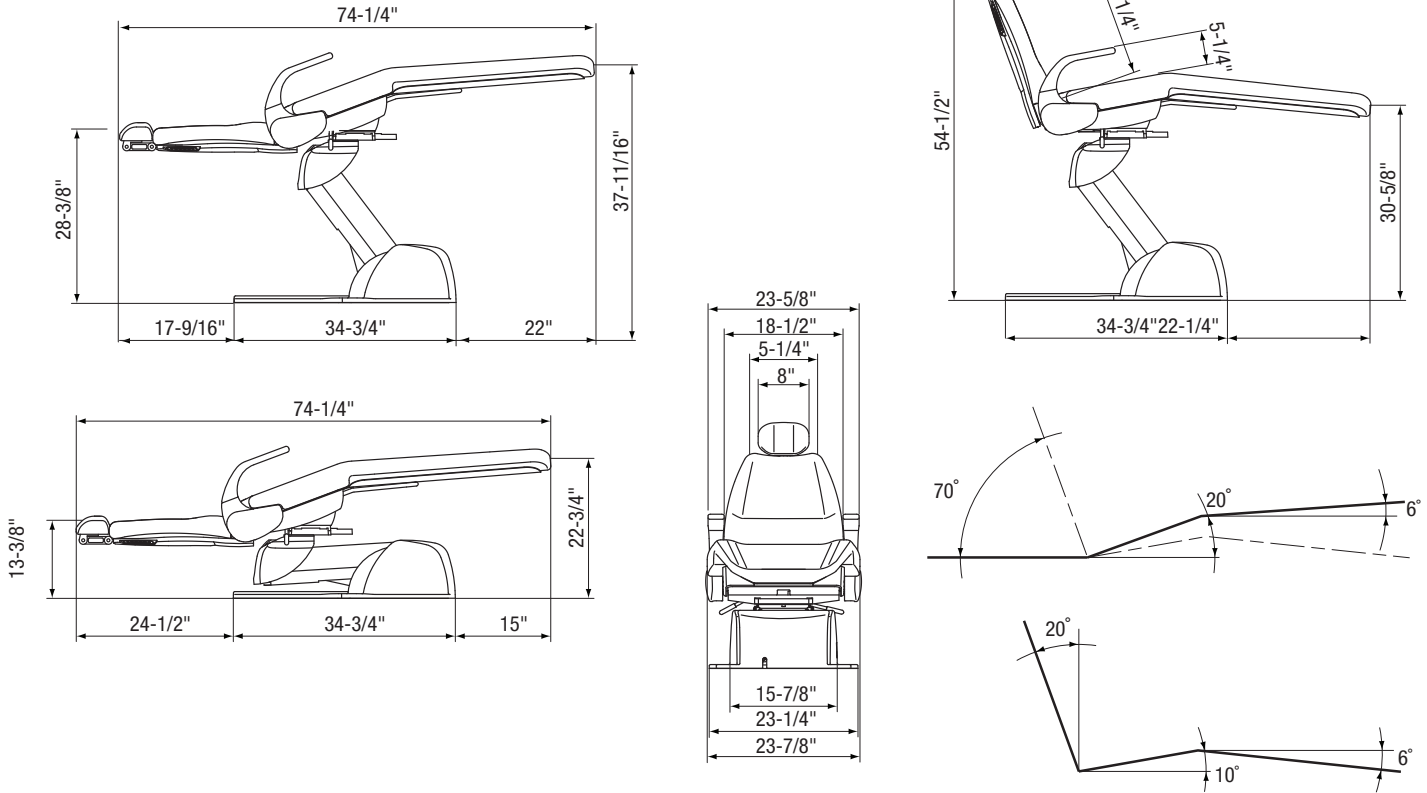
Standard chair adapters are used for mounting your Belmont delivery system to a new X-Calibur V™ dental chair.



Optional larger dual axis contoured headrest for full neck and head support.

Optional chair or unit mounted touchpads provide the operator with additional access to seat and backrest positioning controls.

## Dimensions



## Specifications

|                             |  |
|-----------------------------|--|
| Lifting/Lowering Mechanism: | Hydraulic, Cantilever type                                     |
| Initial Height/Stroke:      | 15.5" / 15"  |
| Backrest Reclining Angle:   | 0° (Horizon) - 70°   |
| Seat Tilting:               | 10° - 20°, synchronized with backrest                          |
| Preset Position:            | Microcomputer control<br>One (1) Preset Position & Auto-return |
| Chair Rotation Angle:       | 30° Left / 30° Right of Centerline                             |
| Headrest:                   | Dual axis type   |
| Safety Shut-off Plate:      | Under the main link  |
| Emergency Stop:             | Any switch can cancel chair movement                           |

## 5 Year Warranty

On mechanical and electrical parts. Applies to Belmont chairs that are purchased installed and serviced by employees of an authorized Belmont dealer.

Belmont reserves the right to change specifications and pricing without notice.



**Takara Company, Canada, Ltd.**  
 2076 South SheridanWay  
 Mississauga, ON L5J 2M4, Canada  
 Toll Free 1-800-268-5351  
 Tel: (905) 822-2755  
 www.takarabelmont.ca