



PRO III

Dental Chair



PRO III 047

Offering a wide range of flexibility that aligns with your needs.



Dual-Articulating Headrest

The dual-axis headrest cradles the patient's occipital bone, offering optimal patient support and comfort. A wide backrest allows for added support for a wide range of patient body types and sizes. Additional support is given through the swing out armrest that create a wider entry and exit area.

Space-Saving Efficiency

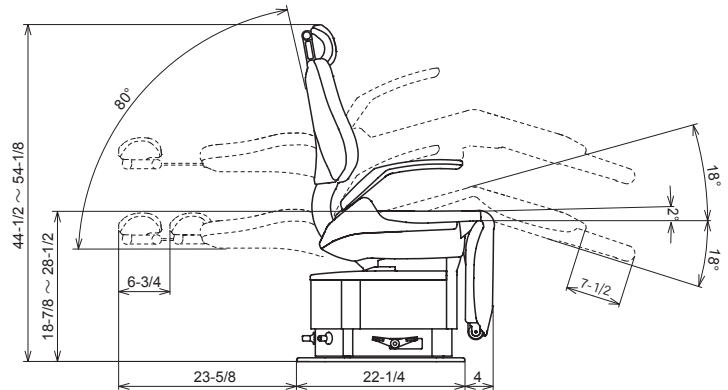
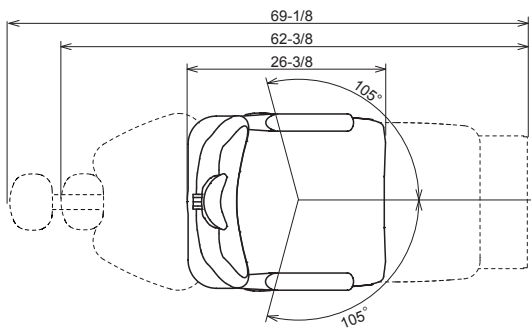
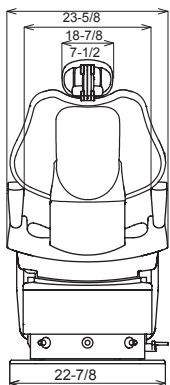
The chair's small footprint requires less space within the office. Patients can be placed in an upright and seated position for face-to-face consultation or procedures requiring access for treatment directly in front of the patient such as in cosmetic dentistry procedures and assessment of jaw alignment.

Chair Maneuvering

Foot controls are found directly on the base of the chair, reducing clutter around the chair base. Users can store 3 pre-set positions as well as the opportunity to manually place the chair in their desired position. A lock pedal is utilized to lock the swiveling base of the chair when ideal positioning is achieved.

Legrest Extension

Folding legrest chair permits patients to enter and exit the chair from a natural position, with feet on the floor & backrest upright. As the backrest reclines, the toeboard extends from under the front of the seat and slides outward to provide support for the patient's legs. The toeboard retracts once the chair shifts back to an upright positioning.



SPECIFICATIONS

Lifting / Lowering Mechanism:	Hydraulic with Backrest Synchronized Tilting
Initial Height/Stroke:	18.5" / 28.5"
Backrest Reclining Angle:	0° (Horizon) - 70°
Seat Tilting:	10° - 20°, synchronized with backrest
Preset Position:	Microcomputer control. One (1) Preset Position & Auto-return
Chair Rotation Angle:	105° Left / 105° Right of Centerline
Headrest:	Dual axis type
Safety Shut-off Plate:	Under the main link
Emergency Stop:	Any switch can cancel chair movement

Takara Company Canada Ltd.
2455 Meadowvale Blvd
Mississauga, ON
L5N 5S2, Canada
(800) 268-5351
www.belmont.ca

Belmont Equipment
101 Belmont Drive
Somerset, NJ 08873
(800) 223-1192
www.belmontequip.com

Belmont
Quality Built in Japan

www.belmont.ca