

Evogue



KEEP FOCUSED

Focusing on treatments and procedures is essential for patient care. Belmont has designed the Evogue dental treatment center over many years to sharpen your senses and ensure you can focus entirely on the treatment plan. The Evogue Delivery System provides the ultimate way to perfect every treatment - from routine to advanced.



IMPROVE YOUR VIEW

Belmont's newly designed headrest offers a wide range of view of the mouth, while easy positioning enhances your patient's comfort during procedures.

Headrest

The new twin-axis headrest system can make a wide range of adjustments and can be fine-tuned in increments of 7.5 degrees to accommodate all patients, from children to adults. The headrest height can also be easily adjusted, requiring a fraction of the force required in previous models.



Backrest

With a thin and narrow backrest, practitioners can gain unhindered access to the patient, resulting in improved posture and a more comfortable working experience.

Swivel

The chair features a swivel mechanism operated by releasing the hydraulic lock. With the touch of a button, the chair top is unlocked and easily swiveled, even with a patient in the chair.



FEEL LIGHT, LESS FATIGUE

A highly maneuverable and lightweight doctor's table, adjusted into position with minimum effort, improves treatment efficiency and reduces fatigue for dentists. As the doctor's table and cuspidor maneuver into a broad range of positions, these combined characteristics make light work of repetitive motioning. They can even prolong dentists' careers.



Flex system

A long reach of 35" (900mm) allows the dentist and hygienist to treat each patient easily from over the patient's chest or the dental chair's side position. This function means the Evogue can quickly adapt to various treatment positions and dental procedures.





Flexible lighting

The Belmont light maneuvers easily into position and will remain precisely where it is required so dental professionals can start treatment immediately. 3-Axis light head rotation and flexible arm positioning result in superb illumination of the patient maxillary and mandibular arches. Hands-free operation with touchless activation of composite safe mode keeps the focus on dentistry.



A Wide Variety of Treatment Styles

By moving effortlessly, the arms and dental light can always be positioned and secured with ease. A highly flexible long-reach arm allows convenient and comfortable 2-handed and 4-handed dentistry techniques.

Fits the Patient

Hygienic and conveniently positioned for patient access, Evogue porcelain cuspidor, with 180-degree rotation, is easy to use and keep clean.

Variations



Evogue Swing Mount System With Vac Pac
and Bel-Nova Light on Evogue chair



Evogue Over-The-Patient Delivery
with Bel-Halo Light on Evogue chair

Accessories



Syringe



HVE



SE



Water bottle



Foot switch



Foot control

Integrated options



Bien Air MX2 PLUS



Cavitron

Dental Chair	Q3300	Q5500
Base height range	Low point: 15-3/4" (400mm) High point: 31-1/2" (800mm)	Low point: 15-3/4" (400mm) High point: 31-1/2" (800mm)
Backrest	Thin backrest for excellent operator access	Thin backrest for excellent operator access
Headrest	Articulating dual axis headrest	Articulating dual axis headrest
Armrests	Swing out armrest (130°)	Swing out armrest (130°)
Chair swivel	60° left to right seat rotation	60° left to right seat rotation
Power supply	120V ~ 60Hz	120V ~ 60Hz
Chair control	Integrated seat rotation lock/release switches	Integrated armrest touchpads
Lift system	Shockless movement with hydraulic system	Shockless soft start/soft stop movement with hydraulic system
Chair base	Aluminum casting base	Aluminum casting base
Upholstery options	Seamless / Plush	Seamless / Plush
UL load rating	440 lb (200kg)	440 lb (200kg)
Warranty	5 years (chair base) / 1 year (upholstery)	5 years (chair base) / 1 year (upholstery)

Delivery Systems	Traditional Style	Flex Continental style
Convenient chair control touch pad	<input type="radio"/>	<input type="radio"/>
Tray holder (size: 290 x 190 mm)	-	<input type="radio"/>
Handpiece holder positions	3+Syringe (expandable to 4 positions)	3+Syringe (expandable to 4 positions)
Handpiece instruments		
- 3x Midwest 4 holes turbine hose	<input type="radio"/> (standard spec)	<input type="radio"/> (standard spec)
- 1x Air/Water syringe		
Midwest 4-hole turbine hose with fiber optic	<input type="radio"/> (option)	<input type="radio"/> (option)
Micro motor	<input type="radio"/> (option)	<input type="radio"/> (option)
Cavitron magnetostrictive scaler	<input type="radio"/> (option)	<input type="radio"/> (option)
Left/right conversion	<input type="radio"/>	<input type="radio"/>
Balanced flex arm with air brake	<input type="radio"/>	<input type="radio"/>
2 Brake handles	<input type="radio"/>	<input type="radio"/>
Flushing system	<input type="radio"/>	<input type="radio"/>
Water system (2L bottle)	<input type="radio"/>	<input type="radio"/>
Junction box	<input type="radio"/>	<input type="radio"/>
Wet/Dry Foot Control	<input type="radio"/>	<input type="radio"/>

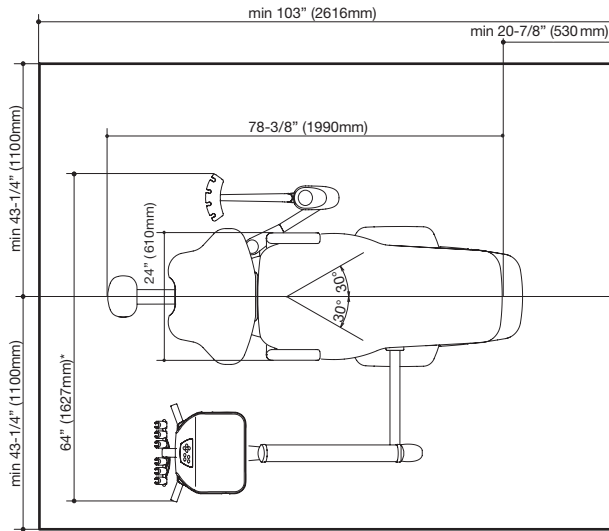
Assistant's Systems	PMU	Vac Pac
Left/right conversion	-	<input type="radio"/>
Breakaway assistant arm	<input type="radio"/>	<input type="radio"/>
Handpiece instruments		
- 1x high volume evacuation (HVE)		
- 1x saliva ejector (SE)	<input type="radio"/>	<input type="radio"/>
- 1x Air/Water syringe		
- 1x option (2nd HVE)		
Rotating cuspidor bowl, porcelain	<input type="radio"/> (option)	-
1/4 Water Quick Disconnect with outlet flow control	<input type="radio"/>	<input type="radio"/>
1/4 Air Quick Disconnect	<input type="radio"/>	<input type="radio"/>

Accessories		
Monitor bracket	<input type="radio"/> (option)	-

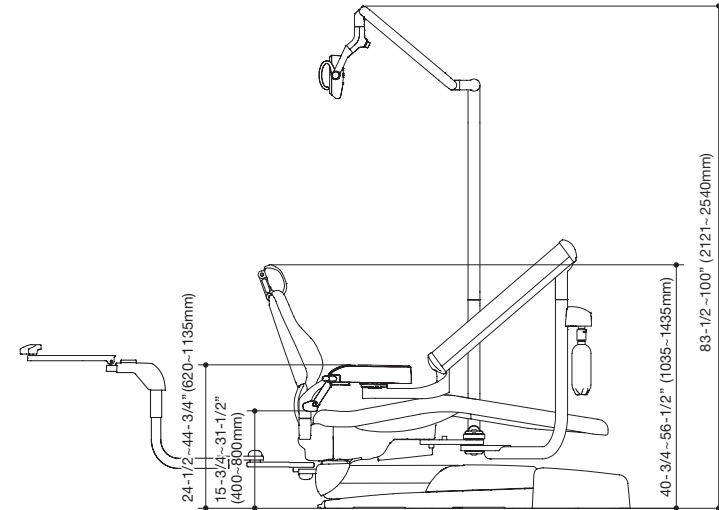
Dental Lights	Bel-Nova	Bel-Halo
Color temperature	5000°K	5000°K
Light pattern (length x width)	3-3/8" x 6-1/8"	3-7/8" x 6-5/8"
Touchless sensor	<input type="radio"/>	<input type="radio"/>
Composite safe mode color	Amber	Amber
Stepless light intensity range (treatment mode)	464 – 3158 FTC	325 - 3623 FTC
Stepless light intensity range (composite safe mode)	1021 FTC	697 FTC
Input voltage	120V / 60 Hz	120V / 60 Hz
Rotational axes	3-axis: horizontal, vertical, diagonal	3-axis: horizontal, vertical, diagonal
Patient mirror	<input type="radio"/> (option)	<input type="radio"/> (option)

Vac Pac Unit type

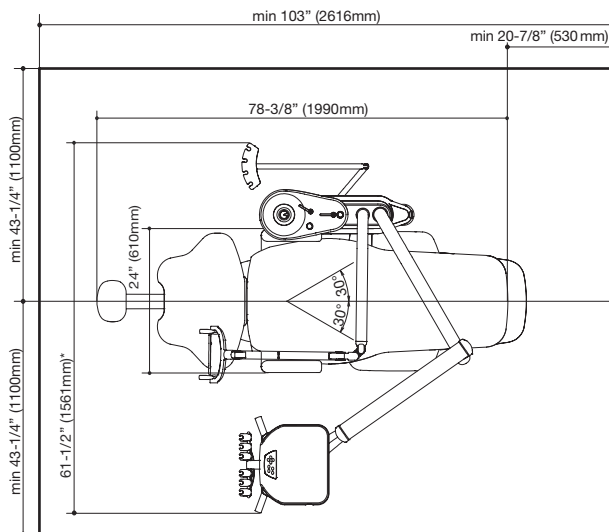
Unit : inch (mm)
Tolerance in dimensions: ±10%



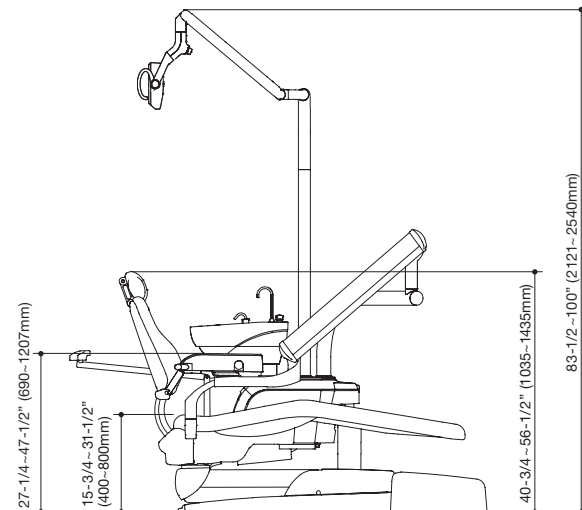
*Reference length by movable part



Cuspidor Unit type



*Reference length by movable part





DEEP INSIGHT

In collaboration with dental professionals worldwide, Belmont's research and development team strives to develop solutions that enhance dentistry practices. The Evogue is designed to provide you with a higher standard of usability, built-in features, and even greater comfort for you and your patients.



MADE BY
HAND AND MIND,
IN JAPAN



Belmont Equipment 101 Belmont Drive, Somerset, NJ 08873 (800) 223-1192 www.belmontequip.com
Takara Company Canada Ltd. 2455 Meadowvale Boulevard, Mississauga, Ontario, L5N 5S2 (800) 268-5351 www.belmont.ca

The specifications and colors are subject to change without notice.

REF D-125 221000A GB